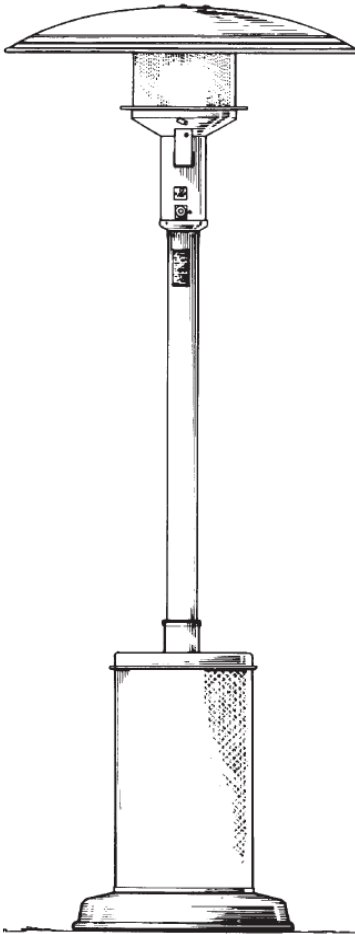


## **PATIO HEATER OPERATION INSTRUCTIONS**



### **To Light Pilot**

Rotate control knob to "Pilot" position. Firmly depress knob for 30 seconds while lighting pilot through ½" dia. lighting hole above control. Pilot should remain lit.

NOTE: Allow 1½ minutes to purge air through pilot after connection with a new tank of propane gas.

### **To Turn Heater On**

Turn control knob to "On" position.

### **To Turn Heater and Pilot "Off"**

Turn knob to "Pilot" position. Depress slightly and turn to "Off" position. Wait 5 minutes after complete shutoff of heater before relighting pilot. Turn "Off" gas tank when heater is not in use.

#### **FOR YOUR SAFETY**

If you smell gas:

1. Shut off gas to the appliance.
2. Extinguish any open flame.
3. If odor continues, immediately call your gas supplier.

#### **FOR YOUR SAFETY**

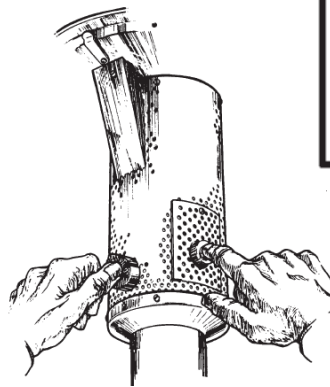
Do not store gasoline or other flammable vapors and liquids in the vicinity of this or any other appliance.

#### **WARNING: FOR OUTDOOR USE ONLY!**

**WARNING:** Improper installation, adjustment, alteration, service or maintenance can cause property damage, injury or death. Read the installation, operating and maintenance instructions thoroughly before installing or servicing this equipment.

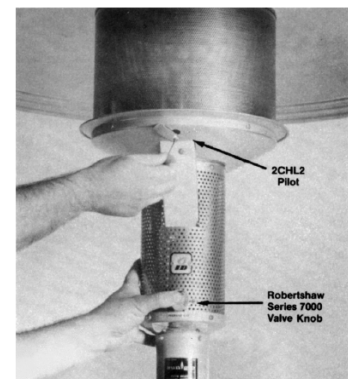
#### **PROP. 65 WARNING!!!**

If not installed, operated and maintained in accordance with manufacturer's instructions, this product could expose you to substances in the fuel or from combustion which can cause death or serious illness, and which are known to the State of California to cause cancer, birth defects or reproductive harm.



#### **Important Safety Rules:**

1. Children and adults should be alert to high surface temperature of areas above the post when operating this heater.
2. Children should be carefully supervised when they are in the area of the heater.
3. **NEVER** hang anything including clothes or other flammable items on the heater.
4. **DO NOT** operate this heater unless it is fully assembled with reflector in place.
5. Installation and repair should be done by a qualified service person. The heater should be inspected before use and at least annually by a qualified service person. More frequent cleaning may be required as necessary. It is imperative that control compartment, burners and circulating air passages of the heater be kept clean.

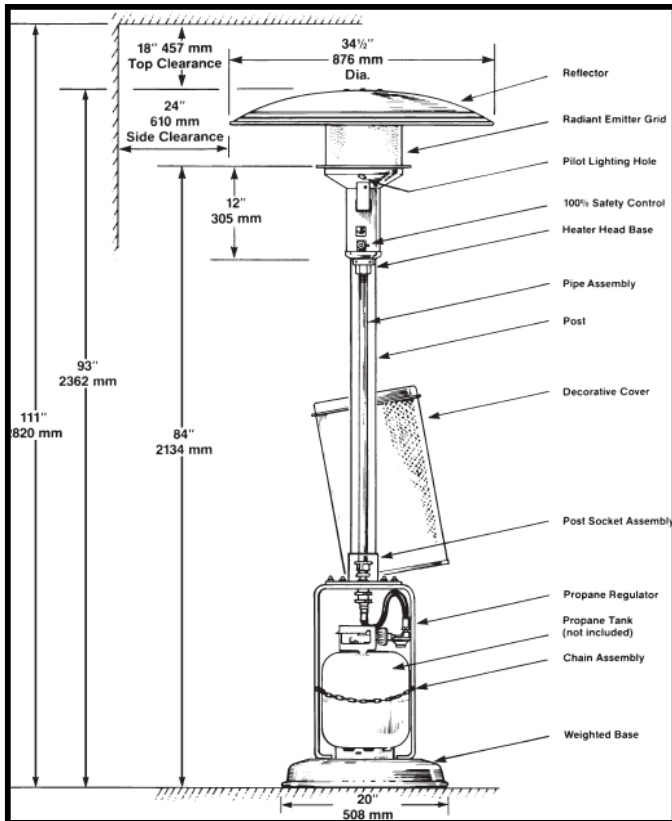


# PATIO HEATER

## **TROUBLE SHOOTING**

<b>Problem</b>	<b>Possible Causes</b>
Pilot won't light	<ul style="list-style-type: none"> <li>• Air in gas line</li> <li>• Low gas pressure</li> <li>• Gas line turned "Off"</li> <li>• Blockage in gas line</li> </ul>
Pilot won't stay lit	<ul style="list-style-type: none"> <li>• Bad thermocouple</li> <li>• Corrosion of thermocouple contact</li> <li>• Bad Valve</li> <li>• Wind exceeding 10 mph</li> </ul>
Main burner won't light	<ul style="list-style-type: none"> <li>• No power</li> <li>• Low gas pressure</li> <li>• Blockage in orifice</li> <li>• Manual valve not in "On" position</li> </ul>

## **ASSEMBLY**



**PARTY RENTAL**  
**WORLD**

*"SAN DIEGO'S  
BEST CHOICE  
SINCE 1992"*

**CALL 1(888)90-EVENT**  
**WHEN YOU NEED TO RENT:**

- |                      |                       |
|----------------------|-----------------------|
| • TABLES             | • PATIO HEATERS       |
| • LINENS             | • DANCE FLOORS        |
| • CHAIRS             | • STAGING & LIGHTING  |
| • CANOPIES           | • AUDIO VISUAL        |
| • STEMWARE           | • FUN FOOD MACHINES   |
| • FLATWARE           | • MARGARITA MACHINES  |
| • CHINA              | • CARNIVAL GAMES      |
| • GRILLS             | • INFLATABLE GAMES    |
| • SERVING EQUIPMENT  | • AMUSEMENT RIDES     |
| • BEVERAGE EQUIPMENT | • AND SO MUCH MORE... |

[www.PartyRentalWorld.com](http://www.PartyRentalWorld.com)